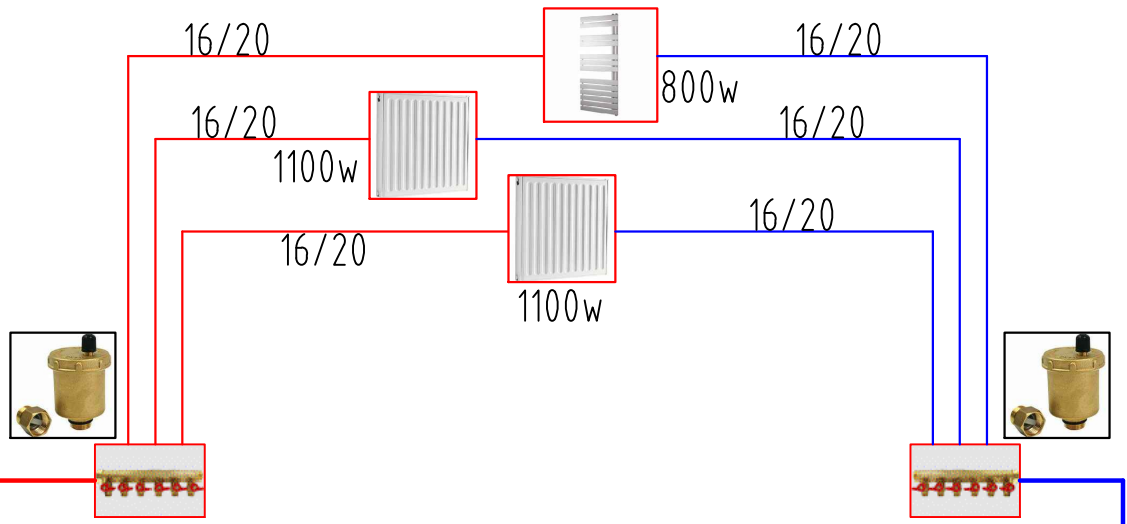
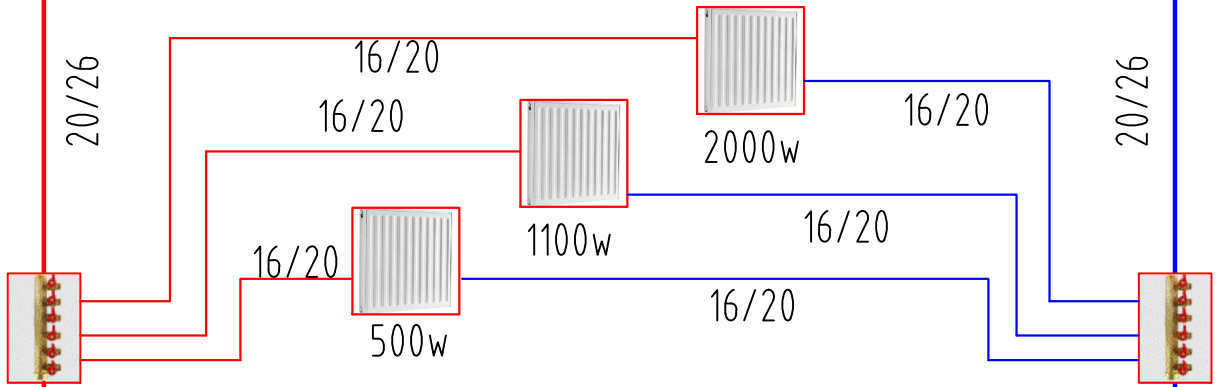


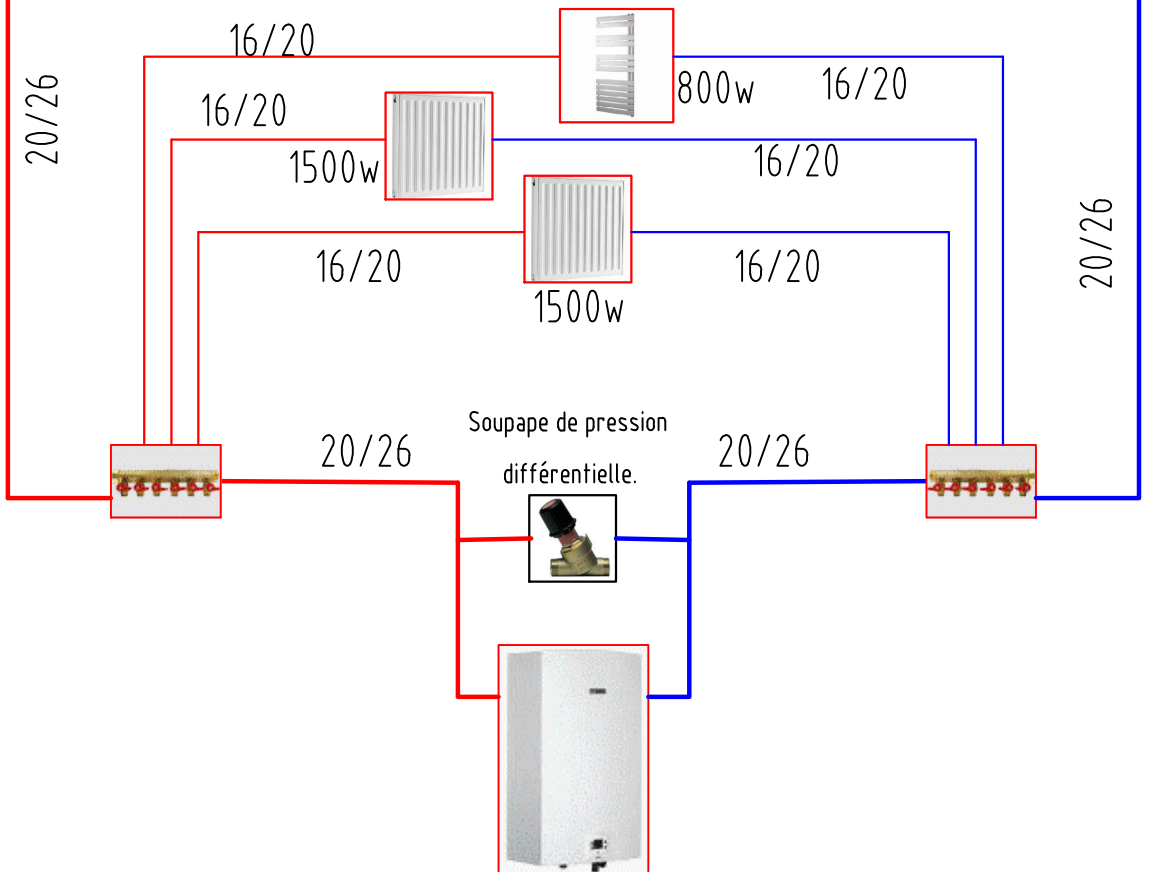
2eme



1er



RDC



chaudiere FRISQUET modele  
hydromatrix  
condensation visio 20 kw